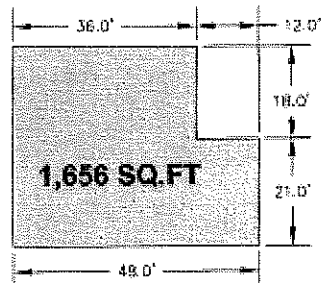
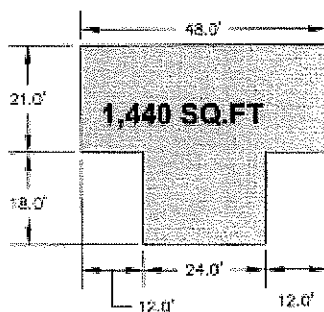
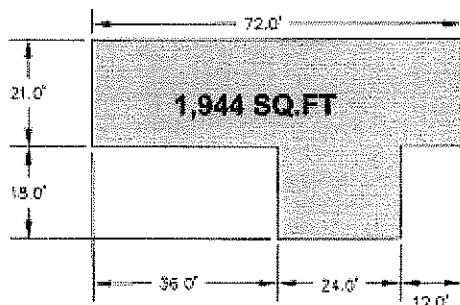


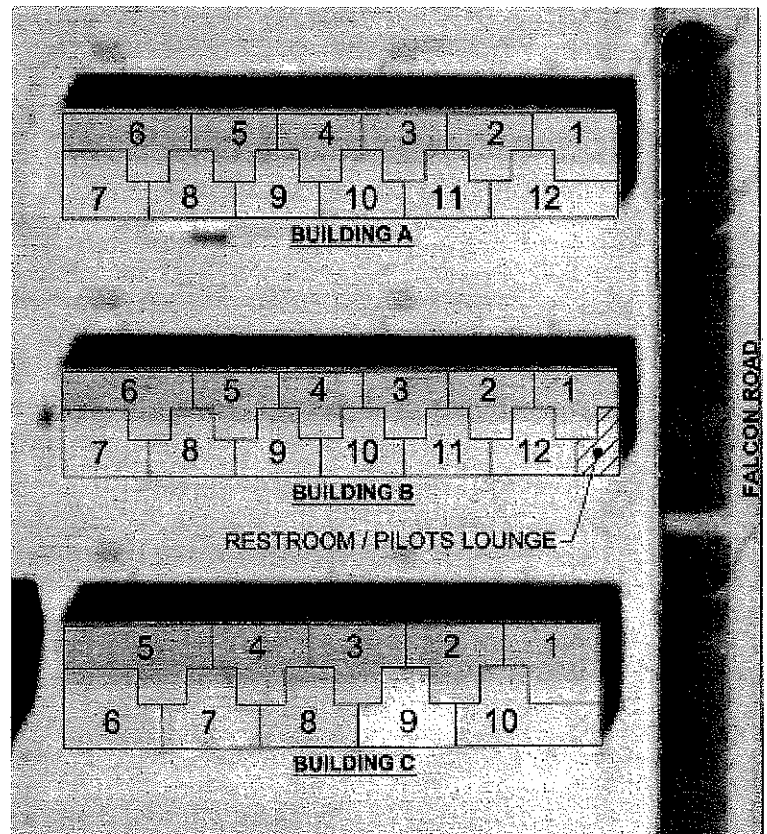
# T-Hangars Available – C7 and C9

T-Hangars available with 1,440 sq. ft. and southern exposure located at 4301 Falcon Road. Please contact Carol Moyer, [cmoyer@flyrfd.com](mailto:cmoyer@flyrfd.com) or 815-969-4466 for further information.

RFD is an international airport capable of landing aircraft in Category III conditions. These state-of-the-art facilities, when coupled with runway lengths of 10,000 ft. and 8,200 ft., allow RFD to land any jet aircraft operating in the world today - even under the most adverse conditions.



**HANGAR "C" FLOOR DIMENSIONS**  
N.E. T-HANGAR COMPLEX  
4301 FALCON ROAD



**EXHIBIT A**  
N.E. T-HANGAR COMPLEX  
4301 FALCON ROAD

